

# Specifications

## AR35 and AR30 R32

- Digital Inverter Compressor.
- HD Filter system.
- 2-Way Auto Swing function to automatically control airflow direction.

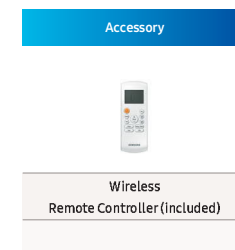
- Fin Protector to protect condenser and optimise Heat Exchanger performance.



		AR35				AR30		
Indoor Unit		AR09TXHQASINEU	AR12TXHQASINEU	AR18TXHQASINEU	AR24TXHQASINEU	AR09TXHQBWKNEU	AR12TXHQBWKNEU	
Outdoor Unit		AR09TXHQASIXEU	AR12TXHQASIXEU	AR18TXHQASIXEU	AR24TXHQASIXEU	AR09TXHQBWKXEU	AR12TXHQBWKXEU	
<b>Capacity</b>								
Capacity	Cooling (Nominal)	kW	2.6	3.5	5.3	7.0	2.6	3.5
	Cooling (Min-Max)	kW	0.9-3.4	1.1-4.2	1.8-6.1	2.1-8.0	0.9-3.4	1.1-4.2
	Heating @ +7 °C	kW	2.9	3.8	5.3	7.3	2.9	3.8
	Heating (Min-Max)	kW	0.8-3.4	1.1-4.2	1.4-6.7	1.6-8.8	0.8-3.4	1.1-4.2
<b>Performance</b>								
Energy Efficiency Cooling	SEER <sup>1</sup>	W/W	6.3/ A++	6.1/ A++	7.1/ A++	6.1/ A++	6.3/ A++	6.1/ A++
	Power Consumption	kWh/a	156	211	256	412	156	211
	Pdesignc	kW	2.8	3.6	5.2	7.0	2.8	3.6
	EER	W/W	3.43	2.90	3.43	2.87	3.43	2.90
Energy Efficiency Heating	SCOP <sup>1</sup>	W/W	4.0/ A+	3.9/ A	4.0/ A+	3.9/ A	4.0/ A+	3.9/ A
	Power Consumption	kWh/a	910	969	1,435	1,723	910	969
	Pdesignh (average)	kW	2.6	2.7	4.1	4.8	2.6	2.7
	COP <sup>1</sup>	W/W	3.91	3.50	3.56	2.71	3.91	3.50
Moisture Removal		l/h	1.0	1.2	1.8	2.6	1.0	1.2
Maximum Airflow (Cooling)	Indoor Unit	m <sup>3</sup> /min	7.77	9.00	14.00	16.33	7.77	9.00
	Outdoor Unit	m <sup>3</sup> /min	-	-	-	-	-	-
Sound Power	Indoor Unit (Cooling)	dB(A)	55	55	55	59	55	55
	Outdoor Unit (Cooling)	dB(A)	62	65	63	68	62	65
Sound Pressure	Indoor Unit High/Silent Mode	dB(A)	36/20	37/22	42/25	43/28	36/20	37/22
	Outdoor Unit High	dB(A)	49	50	51	56	49	50
Operating Temperature Range	Cooling	°C	-10-46	-10-46	-10-46	-10-46	-10-46	-10-46
	Heating	°C	-15-24	-15-24	-15-24	-15-24	-15-24	-15-24
<b>Electrical Data</b>								
Power Source		Φ, V, Hz	1Φ, 220-240 V, 50 Hz	1Φ, 220-240 V, 50 Hz	1Φ, 220-240 V, 50 Hz	1Φ, 220-240 V, 50 Hz	1Φ, 220-240 V, 50 Hz	1Φ, 220-240 V, 50 Hz
Compressor Type	Outdoor Unit	Type	Digital Inverter	Digital Inverter	Digital Inverter	Digital Inverter	Digital Inverter	Digital Inverter
Power Consumption	Cooling	W	770	1,213	1,539	2,450	770	1,213
	Heating	W	750	1,088	1,480	2,700	750	1,088
Operating Current	Cooling	A	3.3	5.3	6.9	10.4	3.3	5.3
	Heating	A	3.2	4.7	6.4	11.7	3.2	4.7
<b>Dimensions</b>								
Net Dimensions (W x H x D)	Indoor Unit	mm	805 x 285 x 194	805 x 285 x 194	957 x 302 x 213	1,040 x 327 x 220	805 x 285 x 194	805 x 285 x 194
	Outdoor Unit	mm	720 x 495 x 270	720 x 495 x 270	800 x 554 x 333	845 x 702 x 363	720 x 495 x 270	720 x 495 x 270
Net Weight	Indoor Unit	kg	8.1	8.1	10.5	12.5	8.1	8.1
	Outdoor Unit	kg	23.2	23.2	34.0	52.0	23.2	23.2
<b>Refrigerant</b>								
Refrigerant	Type		R32 (contains fluorinated greenhouse gases. GWP = 675)					
	Charging (for 5 m)	kg	0.55	0.55	1.00	1.60	0.55	0.55
	Charging Ton Equivalent CO <sub>2</sub>	tCO <sub>2</sub> e	0.37	0.68	0.68	1.10	0.37	0.37
	Additional Refrigerant Charging	g/m	12	12	12	12	12	12
Piping Connections	Liquid Pipe	ø, mm (inch)	6.35 (1/4)	6.35 (1/4)	6.35 (1/4)	9.52 (3/8)	6.35 (1/4)	6.35 (1/4)
	Gas Pipe	ø, mm (inch)	9.52 (3/8)	9.52 (3/8)	12.70 (1/2)	15.88 (5/8)	9.52 (3/8)	9.52 (3/8)
Piping Length	Min/Max (ODU to IDU)	m	25	25	30	50	25	25
Piping Height	Max	m	10	10	20	25	10	10
Piping Connections	Drain Pipe	ø, mm	-	-	-	-	-	-
<b>Functions</b>								



		AR35				AR30		
Indoor Unit		AR09TXHQASINEU	AR12TXHQASINEU	AR18TXHQASINEU	AR24TXHQASINEU	AR09TXHQBWKNEU	AR12TXHQBWKNEU	
Outdoor Unit		AR09TXHQASIXEU	AR12TXHQASIXEU	AR18TXHQASIXEU	AR24TXHQASIXEU	AR09TXHQBWKXEU	AR12TXHQBWKXEU	
Airflow	Air Direction Control (Up/Down)	Auto	Auto	Auto	Auto	Auto	Auto	
	Air Direction Control (Left/Right)	Manual	Manual	Manual	Manual	Manual	Manual	
	Airflow Control Step (Cool/Fan)	3/3	3/3	3/3	3/3	3/3	3/3	
Air Purification	Auto Fan Speed	●	●	●	●	●	●	
	Tri-Care Filter	-	-	-	-	-	-	
	HD Filter	●	●	●	●	●	●	
Operating Mode	Auto Clean (Self-Cleaning)	-	-	-	-	-	-	
	2-Step Cooling	-	-	-	-	-	-	
	Fast Cooling	●	●	●	●	●	●	
	Comfort	-	-	-	-	-	-	
	D'light Cool	-	-	-	-	-	-	
	Good Sleep	●	●	●	●	●	●	
	Dehumidification	●	●	●	●	●	●	
	Auto	●	●	●	●	●	●	
Other Functions	Fan	●	●	●	●	●	●	
	Quiet	-	-	-	-	-	-	
	Wi-Fi Control	-	-	-	-	-	-	
	24-Hour Timer/Real Timer	●	●	●	●	●	●	
	Indoor Temperature Display	●	●	●	●	●	●	
	Display On/Off	●	●	●	●	●	●	
	Beep On/Off	●	●	●	●	●	●	
	Auto Changeover	-	-	-	-	-	-	
Auto Restart	●	●	●	●	●	●		

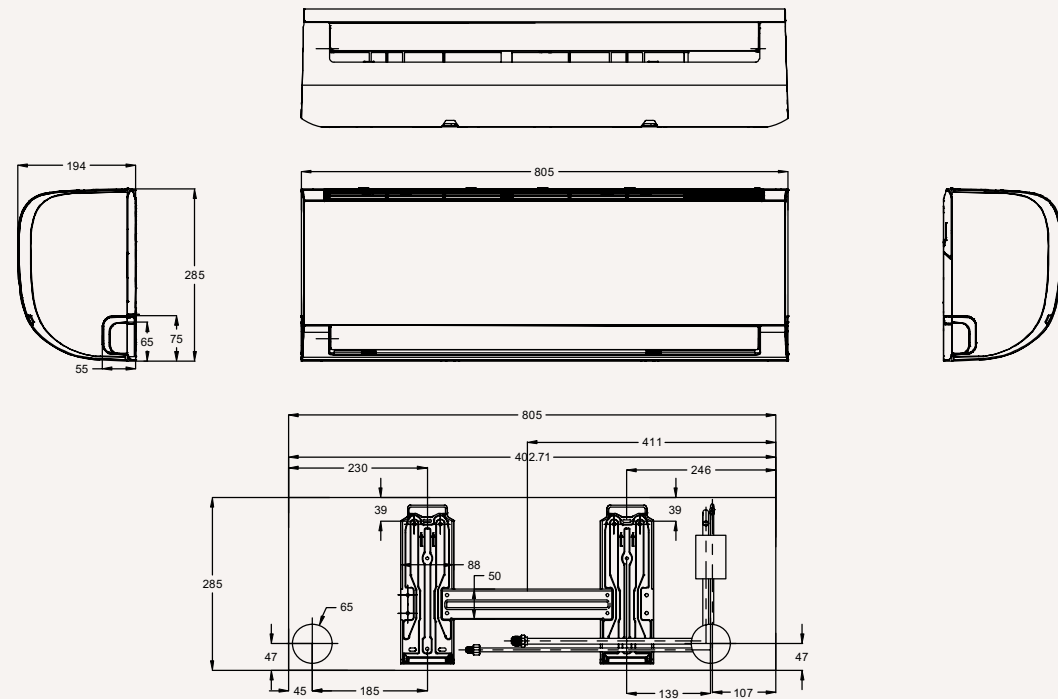


<sup>1</sup> Energy labels as shown are according to EU No 626/2011 (LOT 10) label classification 2019, on a scale from D to A+++.

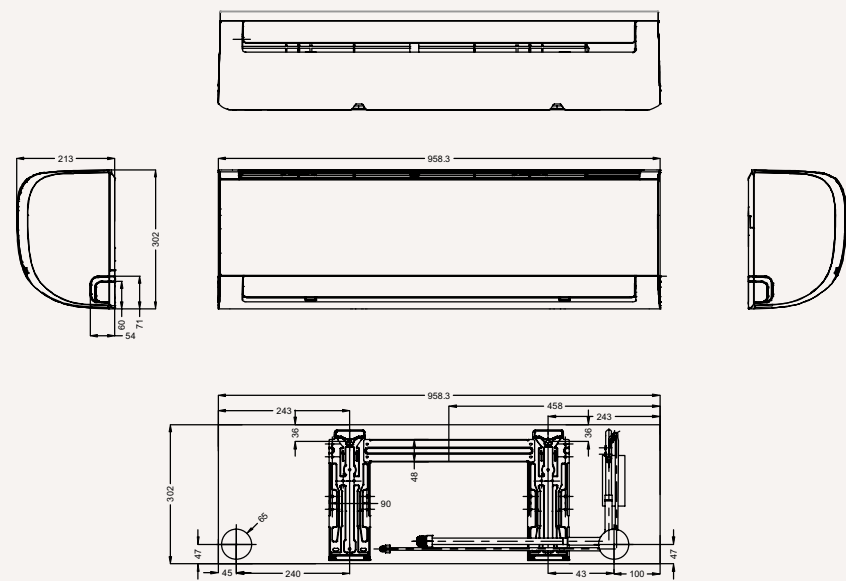
# Dimensional drawings

AR35 and AR30 - Indoor

AR09/12TXHQASINEU

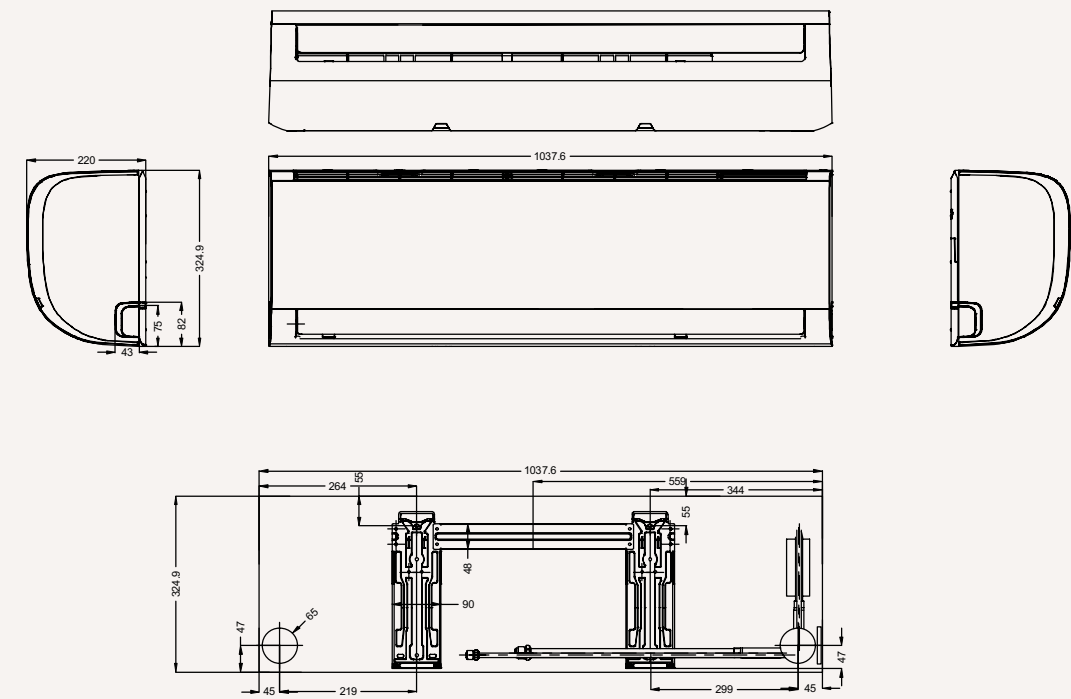


AR18TXHQASINEU



AR35 and AR30 - Indoor

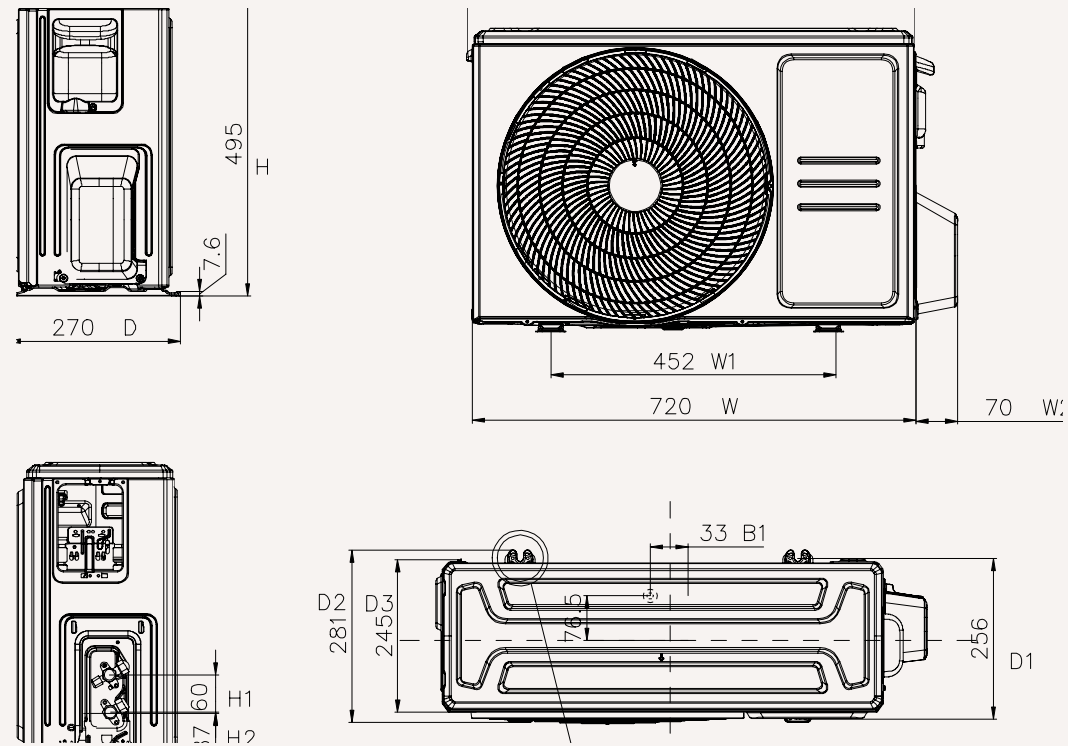
AR24TXHQASINEU



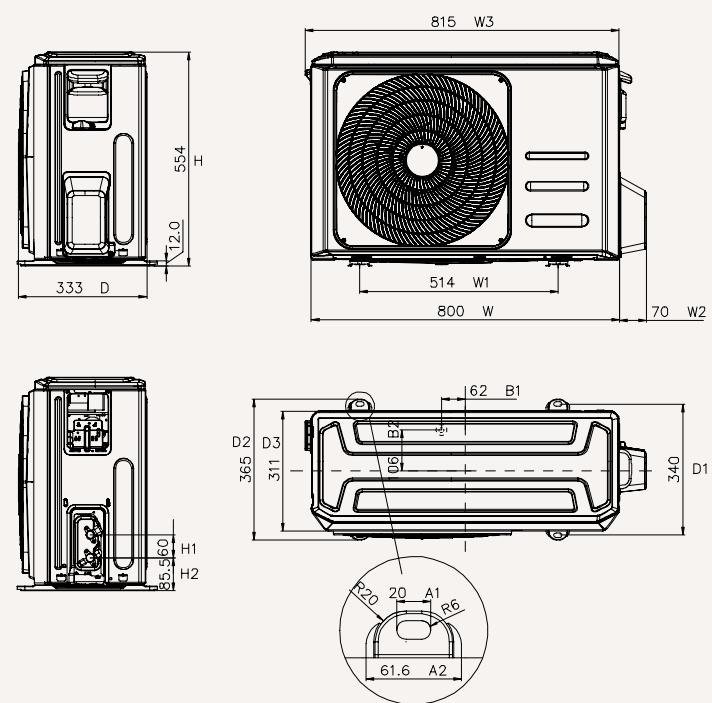
# Dimensional drawings

AR35 and AR30 - Outdoor

AR09/12TXHQASIXEU



AR18TXHQASIXEU



AR35 and AR30 - Outdoor

AR24TXHQASIXEU

